

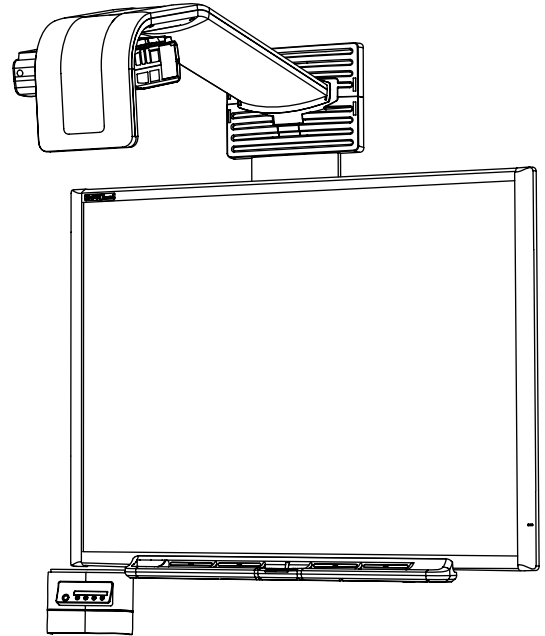
# SMART Board™ Interactive Whiteboard System

## Specifications – Model 680i2

### Physical Specifications

#### Unifi™ 45 Projector System

<b>Total Size</b>	18 1/2" W x 15 1/2" H x 47 1/4" D (47.0 cm x 39.4 cm x 120 cm)
<b>Extended Control Panel</b>	11" W x 7 5/8" H x 2 3/8" D (27.9 cm x 19.4 cm x 6 cm)
<b>Remote Control</b>	1 3/4" W x 1 1/4" H x 4 1/4" D (4.4 cm x 3.2 cm x 10.8 cm)
<b>Weight</b>	32 lb. (14.5 kg)
<b>Shipping Size</b>	
Accessory Box	53 1/8" W x 14 3/4" H x 14 1/8" D (134.9 cm x 37.5 cm x 35.9 cm)
Projector Box	17 1/2" W x 14 1/2" H x 10 3/4" D (44.5 cm x 36.8 cm x 27.3 cm)
<b>Shipping Weight</b>	51 lb. 8 oz. (23.4 kg)



#### SMART Board™ 680 Interactive Whiteboard

<b>Size</b>	65 1/4" W x 49 1/2" H x 5 1/8" D (165.7 cm x 125.7 cm x 13 cm)
<b>Active Screen Area</b>	61 5/8" W x 46 1/8" H (156.5 cm x 117.2 cm) 77" (195.6 cm) diagonal
<b>Weight</b>	30 lb. (13.6 kg)
<b>Shipping Size</b>	73 1/2" W x 54" H x 5 1/2" D (186.7 cm x 137.2 cm x 14 cm)
<b>Shipping Weight</b>	45 lb. (20.4 kg)

All dimensions +/- 1/8" (3.2 mm). All weights +/- 2 lb. (0.9 kg).

### Standard Features

<b>Software</b>	Notebook™ software included. Software upgrades are available at <a href="http://www2.smarttech.com/st/en-US/Support/SBS/">www2.smarttech.com/st/en-US/Support/SBS/</a> .
<b>Certifications and Compliance</b>	CSA (Canada/U.S.), CE, FCC, RoHS (China), RoHS (Europe), WEEE, VCCI (Japan), C-Tick (Australia).
<b>Warranty</b>	The projector and extended control panel have a three-year limited equipment warranty. The Unifi 45 projector lamp has a 500 hour/90 day warranty. The interactive whiteboard has a two-year limited equipment warranty or a five-year limited equipment warranty upon registration. See warranty documents for details.
<b>Cables</b>	The SMART Board 680i2 interactive whiteboard system includes the necessary cables to connect the projector to the extended control panel. However, you must supply the appropriate input cables for your personal computer and devices.

**Interactive Whiteboard Features**

<b>Pen Tray</b>	Optical sensors in the pen tray detect when you lift a pen or the eraser from the tray. LED lights show the active tool.
<b>Pens and Eraser</b>	A rectangular eraser and black, blue, red and green pens
<b>Resolution</b>	Touch resolution is approximately 4000 × 4000.
<b>Screen Surface</b>	The hard-coated polyester surface is tear proof, optimized for projection, compatible with dry-erase markers and cleans easily with whiteboard cleaner.
<b>Digitizing Technology</b>	Resistive technology
<b>Frame Finish</b>	Two-tone gray (approximates Pantone® Charcoal Gray 18-0601 TPX) and Ultrasonic Chrome (approximates metallic Pantone 877C)
<b>Wall-Mount Bracket</b>	32" (81.3 cm) wide with five screws and drywall anchors to support a wall-mounted interactive whiteboard
<b>Projector Mounting Template</b>	The template ensures simple installation and accurate alignment between the Unifi 45 projector and your SMART Board 680 interactive whiteboard.
<b>Installation Instructions</b>	Do not use the SMART Board 680 interactive whiteboard instructions when installing the SMART Board 680i2 interactive whiteboard system. The installation instructions for the SMART Board 680i2 interactive whiteboard system are included with the Unifi 45 projector.
<b>Theft Prevention</b>	The SMART Board 680 interactive whiteboard features a pen tray locking feature and a Kensington lock on the pen tray.

**Unifi 45 Projector System Features**

<b>System Components</b>	TDP-SB20 projector, boom mount with a limit strap (including a controlled-collapse feature), extended control panel (ECP), remote control and all necessary input cables from the ECP to the projector
<b>Image Adjustment</b>	Includes a focus lever and digital keystone correction
<b>Display Type</b>	True XGA 1024 × 768 projector
<b>Display Technology</b>	The projection engine uses DLP® technology by Texas Instruments®, providing brilliant color performance and quality Gamma 2.2 correction with Bright, Standard, and True Color modes.
<b>Brightness</b>	Estimated at 2000 lumens (typical) at a CCT of 6500 K by the IEC method
<b>Lamp Life</b>	2000 hours (High mode) or 3000 hours (Standard mode)
<b>Aspect Ratio</b>	4:3 native, with support for 16:9, 16:10 and 4:5 ratios
<b>Contrast Ratio</b>	2000:1
<b>Video System Compatibility</b>	NTSC, NTSC 4.43, PAL, PAL60, PAL-B, PAL-N, PAL-M, SECAM
<b>Video Interface Compatibility</b>	Composite, S-video, and VESA RGB, with additional interface support for Component YPbPr and Component YCbCR inputs with the proper adapters (not included)
<b>Video Format Compatibility</b>	QVGA, VGA, SVGA, XGA, SXGA, SXGA+, UXGA
<b>Synchronization</b>	Auto image synchronization (auto tracking/frequency/position adjustment/source detect/phase detect)
<b>Mounting Hardware</b>	Hardware is included for mounting the Unifi projector and the extended control panel to framed and solid walls. A safety tether and limit strap are included.

## Specifications – Model 680i2

<b>Input/Output Connections</b>	Two HD DB15F connectors - RGB video input from computer and/or ECP via VGA connectors HD DB15F connector - video output 4-pin mini-DIN connector - S-video input One pair of audio jacks (RCA, stereo) reserved for use with S-video Composite video connector - RCA-style video input One pair of audio jacks (RCA, stereo) reserved for use with composite video 3.5 mm stereo jack - audio input with dual signal analog mixer 3.5 mm stereo jack - audio output to connect speakers DB9M - serial (RS-232) for power and communication to the ECP
<b>Projector Noise</b>	33 dBA (High mode) or 28 dBA (Standard mode)
<b>Power Requirements</b>	100V AC–240V AC, at 50 Hz–60 Hz
<b>Power Switch</b>	Master power control switch
<b>Power Cable</b>	One 14' 9" (4.5 m) power cable is included.
<b>External Control</b>	The RS-232 connector is configured to accept control codes from your computer or a room control system.
<b>Power Consumption</b>	470 W to 504 W maximum. 5 W (estimated) in Standby mode
<b>Remote Control</b>	Provides an alternate method of controlling the Unifi 45 projector settings.
<b>Theft Protection</b>	The Unifi 45 projector system features a safety tether on the projector support, optional security screws on the projector plate, an optional padlocked ring to safeguard the adjustment knob, and optional security screws on the projector mount. The projector won't function when it's removed from the system because the projector is designed to operate only when it's attached to the boom.

---

### Extended Control Panel (ECP) Features

<b>Input/Output Connections</b>	HD DB15F connector - RGB video from computer HD DB15F connector - RGB video to projector DB9F - serial (RS-232) computer or room control connection DB25M - provides the following inputs to the projector: <ul style="list-style-type: none"><li>4-pin mini-DIN connector - S-video input</li><li>One pair of audio jacks (RCA, stereo) reserved for S-video</li><li>Composite video connector - RCA-style video input</li><li>One pair of audio jacks (RCA, stereo) reserved for composite video</li><li>3.5 mm stereo jack - audio input</li></ul>
<b>Power Button</b>	Powers the extended control panel
<b>Input Selection Button</b>	Provides control for the following input types: S-video and associated audio (RCA jacks), composite video and associated audio (RCA jacks) and Computer 2 VGA input

---

## Storage and Operating Specifications

<b>Storage</b>	122°F (50°C) maximum storage temperature -40°F (-40°C) minimum storage temperature
<b>Operation</b>	From 0' to 6000' (0 m to 1829 m) 41°F to 95°F (5°C to 35°C) From 6000' to 9800' (1829 m to 2987 m) 41°F to 86°F (5°C to 30°C)

---

## Notebook Software 10 Computer Requirements

<b>Windows™ Computers</b>	Pentium® II 450 MHz processor 256 MB of RAM (512 MB recommended) 180 MB of free hard disk space for minimum installation (840 MB for full installation with Gallery collections) Windows 2000, Windows XP or Windows Vista™ operating system Internet Explorer® internet browser 6.0 or later Adobe® Flash™ player version 8  Requirements for SMART Video Player Pentium II 450 MHz processor (700 MHz or faster recommended) Windows 2000 operating system or later Microsoft® DirectX® technology 8.1 or later
<b>Mac Computers</b>	700 MHz processor (1 GHz or faster recommended) PowerPC® G3, G4 or G5 processors and Intel® processors (universal binary) 256 MB of RAM (512 MB recommended) 85 MB of free hard disk space for minimum installation (825 MB for full installation with Gallery collections) Mac OS X version 10.4.x operating system software Safari application program version 1.3.2 or later

---

## SMART Board Software 9.7 Computer Requirements

<b>Linux® Computers</b>	Pentium II 450 MHz processor 128 MB of RAM (256 MB recommended) 225 MB of free hard disk space for minimum installation (800 MB for full installation with Gallery collections) Linux kernel version 2.6 or later X Window System™ version 11 release 6 (X11R6) or later (must support XRender, Xinerama™, XFixes, Xau and Xdmcp) glibc 2.3.3 (gcc 3.4.2) libstdc++6 GNOME™ 2.8.0+ or KDE® 3.3+ libraries (recommended) SUSE™ 10, Red Hat® Enterprise Linux 4 WS, Debian® 3.1 (Sarge), Ubuntu® 6.06 LTS or Fedora™ Core 3+
-------------------------	---

---

**Optional Accessories**

<b>RPEN-ER</b>	Replacement set of four pen tray pens (black, red, blue and green) and a rectangular eraser
<b>RPEN</b>	Replacement set of four pen tray pens (black, red, blue and green)
<b>FS600i2</b>	Floor Stand for SMART Board 600i2 interactive whiteboard systems
<b>HAWM-600i2</b>	Height-adjustable Wall Mount for SMART Board 600i2 interactive whiteboard systems
<b>STWL-600i</b>	Stud Wall Mounting Kit for HAWM-600i2
<b>SBA</b>	USB Audio system for SMART Board 600i2 interactive whiteboard systems

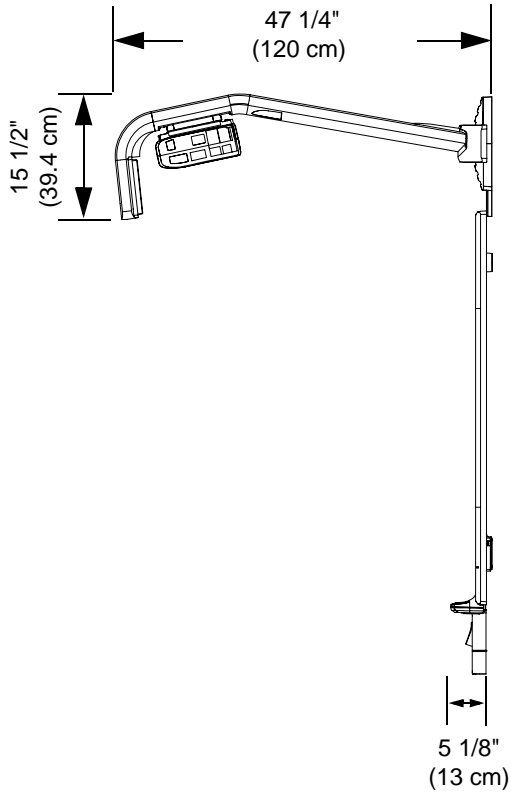
---

**SMART Order Numbers**

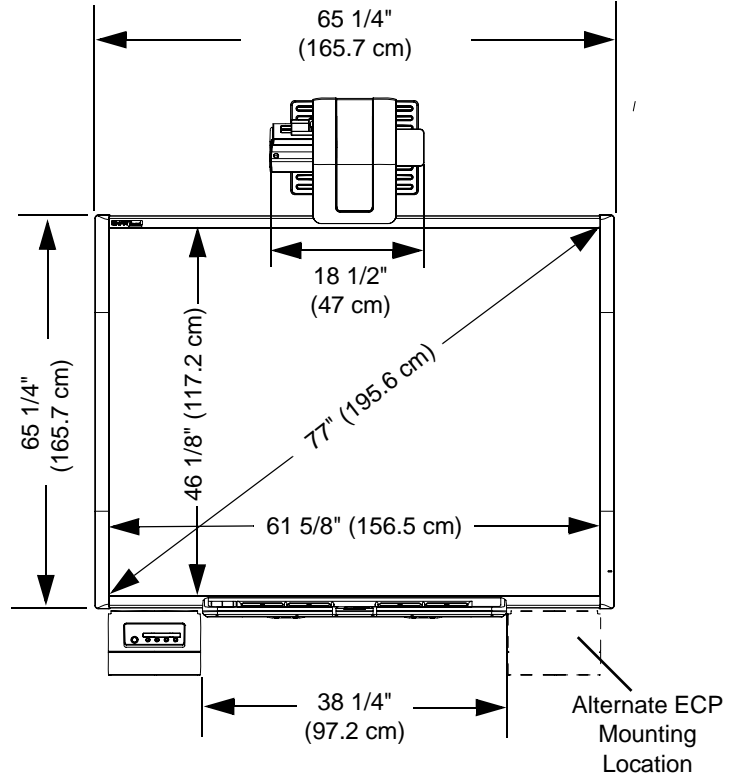
<b>SB680i2</b>	77" (195.6 cm) diagonal SMART Board 680 interactive whiteboard with a Unifi 45 projector system
<b>01-00247</b>	Replacement SB-20 projector lamp
<b>UF45-680</b>	Unifi 45 projector retrofit kit for SMART Board 680 interactive whiteboards

Physical Dimensions

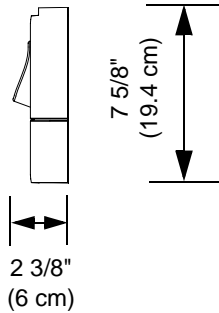
Right Side View



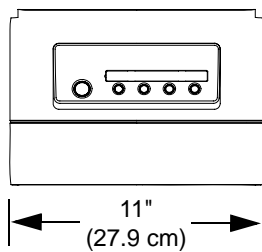
Front View



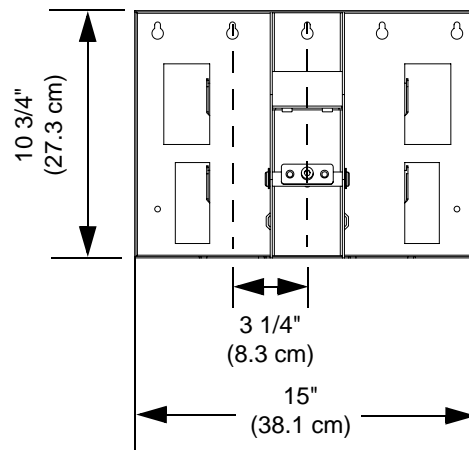
ECP Right Side View



ECP Front View



Projector Mounting Bracket



All dimensions +/- 1/8"

www.smarttech.com/support www.smarttech.com/contactsupport  
Support +1.403.228-5940 or Toll Free 1.866.518.6791 (U.S./Canada)

© 2007–2008 SMART Technologies ULC. All rights reserved. SMART Board, Notebook, Unifi, smarttech and the SMART logo are trademarks of SMART Technologies ULC in the US and/or other countries. Windows is a registered trademark of Microsoft Corporation in the United States and other countries. All other third-party product and company names may be trademarks of their respective owners. Patent No. US5448263; US6141000; US6326954; US6337681; US6540366; US6741267; US6747636; US7151533; US7289113; and CA2058219. Other patents pending. Contents subject to change without notice. 05/2008.

